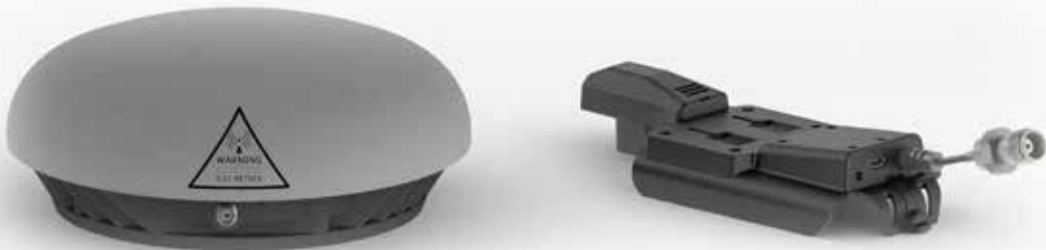


IsatPhone 2 Vehicular Antenna Kit


Antenna Model Number: AT1595-92

User Manual



1 Important Safety Information: Exposure to RF Signals

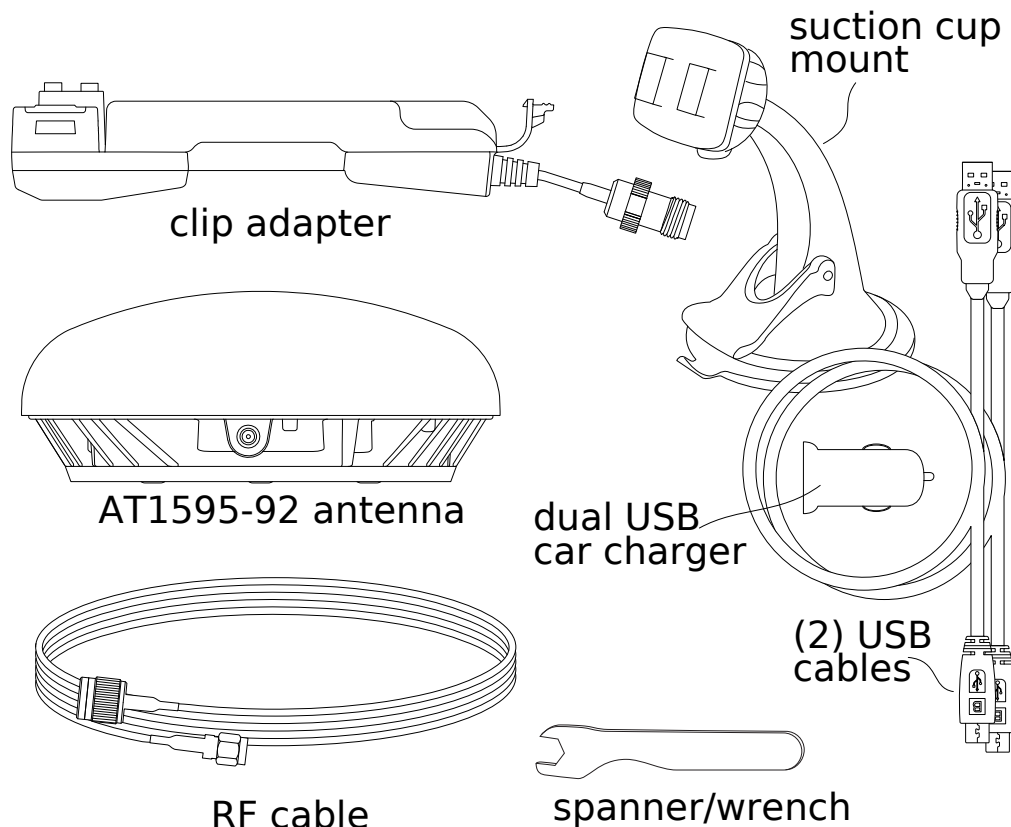
This device complies with Part 15 of the FCC Rules. Operation is subject to the following two conditions: (1) this device may not cause harmful interference and (2) this device must accept any interference received, including interference that may cause undesired operation.

	<p>WARNING</p> <p>To satisfy FCC RF exposure requirements for mobile transmitting devices, the minimum safety distance is 55 cm (21.7 inches). This separation distance should be maintained between antenna and people during operation of the antenna.</p>
---	---

2 Introduction

The Vehicular Antenna (AT1595-92) is an accessory designed for use with the IsatPhone 2 on land vehicles. When the IsatPhone 2 is connected to the antenna it is possible for a user to maintain a link to the satellite while making calls in a moving or stationary land vehicle. The antenna requires DC power provided via USB cable from car charger to the bottom of the clip adapter.

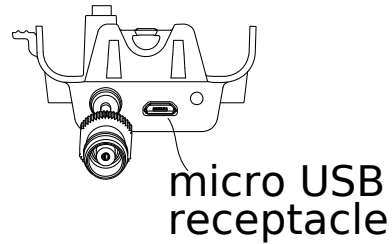
3 Antenna Kit Contents



4 Connecting Your Antenna

4.1 Connect power to clip adapter via USB cable

The antenna requires power which comes from the car charger. For your convenience a dual USB car charger is provided in the kit so that you can simultaneously power/charge the IsatPhone 2 and power the antenna.



Insert the car charger into the cigarette lighter/12VDC power outlet in your vehicle. Plug one end of the USB cable into the car charger. Plug the other end into the micro-USB receptacle on the bottom of the clip.

4.2 Connect cable to antenna

Connect RF cable to the antenna. Use the supplied wrench/spanner to ensure a good connection.

4.3 Place antenna on roof of vehicle

For best results the antenna should be positioned on a flat portion of the roof of the car where it will have a clear, unobstructed view of the sky in all directions. Further, for optimal performance the antenna should be placed away from the edge of the roof and towards the center.

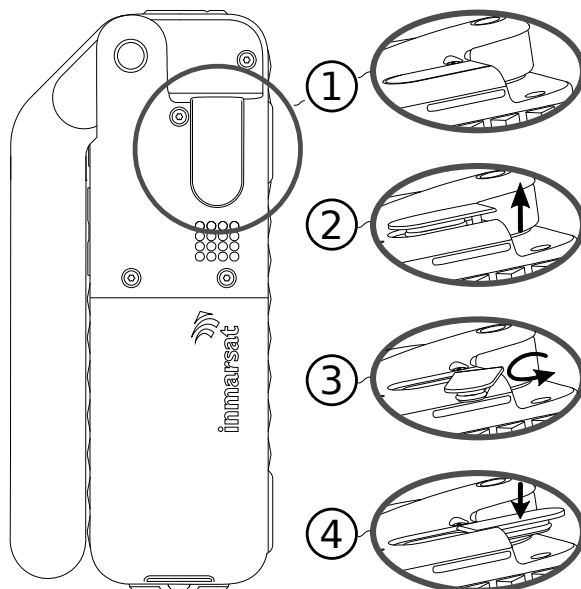
4.4 Route cables into vehicle

The cables can now be routed into the vehicle. In many vehicles, the door seals are sufficiently pliable that they will not damage the cables when the door is closed.

4.5 Connect RF cable to clip adapter

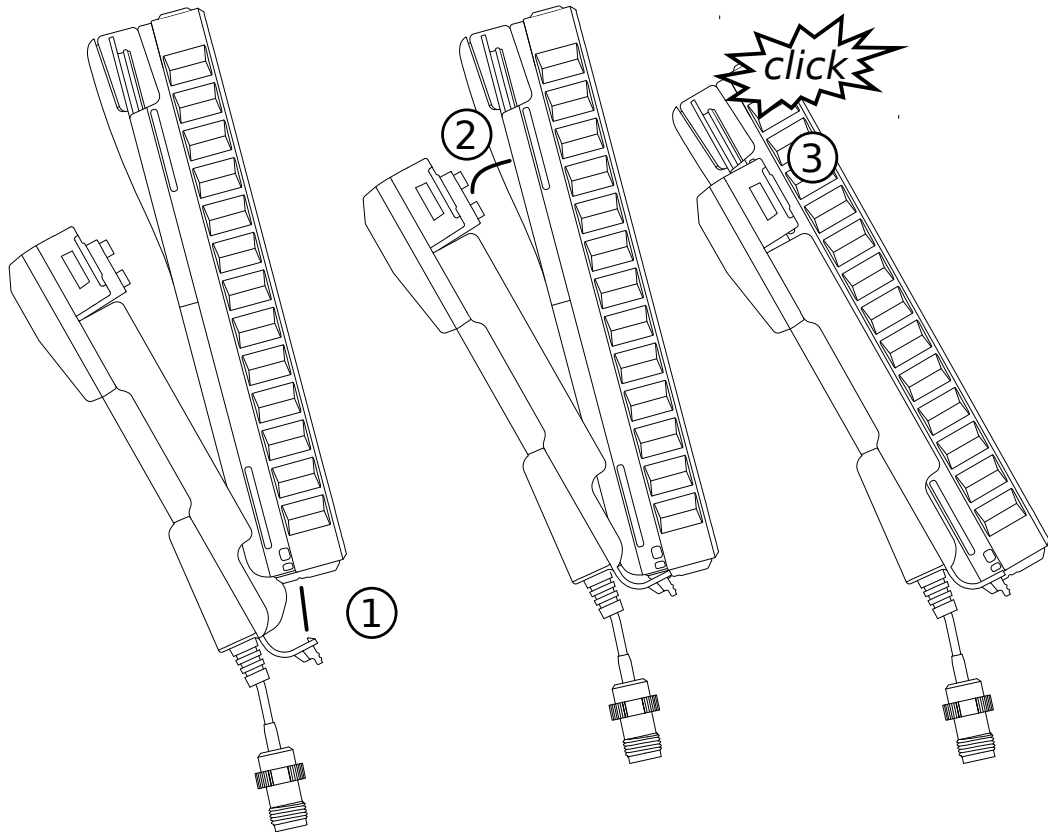
4.6 Open Rear Connector Access Panel

Open rear connector access panel (see figure below).



4.7 Connect handset to clip adapter

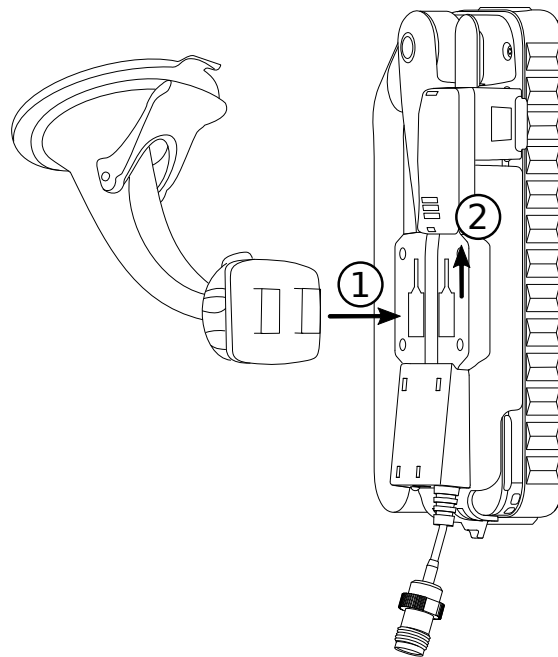
Connect the handset to the clip adapter as shown below



4.8 Suction cup mount

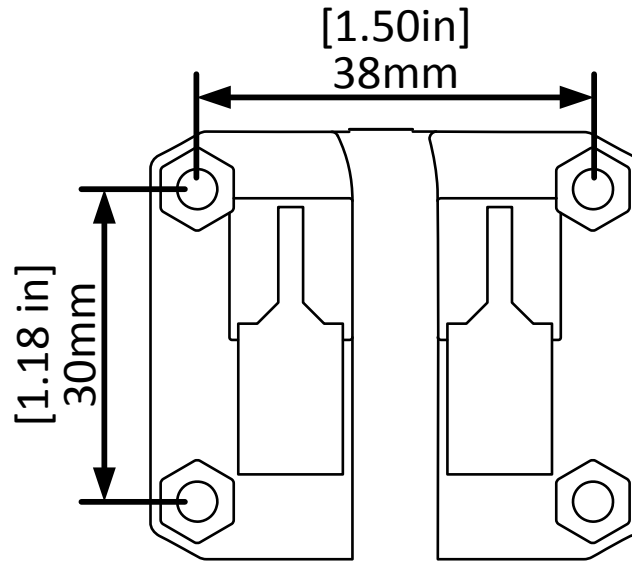
A suction cup mount is included in the kit for use with the clip adapter. The suction cup can be mounted to a window or other flat surface and will hold the phone securely for hands-free communication and while charging via the car charger.

1. Insert rectangular tabs on suction cup mount into clip adapter
2. Slide tabs up to lock into place




4.9 Alternative mounting options

The clip adapter also has 4 mounting holes in a standard AMPS pattern (30mm×38 mm center to center hole pattern) for use with other mounts. As a precaution, verify printed dimensions before drilling.



5 Specifications

EQUIPMENT TYPE	Mobile or Fixed Base Station
CE Mark, 	Yes
INTEGRATED OPERATING ENVIRONMENT	[x] Commercial [x] Light Industry & Heavy Industry
POWER SUPPLY REQUIREMENT	9 to 36V DC, 30W maximum
RF INPUT POWER RATING (US & CANADA)	30 dBm or 1.0 Watt peak (conducted)
EIRP	10.93 dBW Max
DUTY CYCLE	N/A
TX OPERATING FREQUENCY RANGE	1626.5 – 1660.5 MHz
RX OPERATING FREQUENCY RANGE	1525.0 – 1559.0 MHz
RF INPUT IMPEDANCE	50 Ohms
MODULATION	G1W
EMISSION DESIGNATION	86K1G1W
ANTENNA TYPE	Integral
ANTENNA CONNECTOR TYPE	Inmarsat: SMA (Female) GPS: SMA(Female)
TEMPERATURE RATING STORAGE: OPERATIONAL:	-40°C to +80°C -25°C to +55°C