

SAILOR® 500 FLEETBROADBAND DUAL ANTENNA SOLUTION

COBHAM

The ultimate voice & broadband data solution for full connectivity anywhere, anytime at sea!

The importance of being online

Being online wherever you are at sea, running important applications, downloading essential information etc. are all key factors that ensure maximum performance of your daily business. With the new SAILOR 500 FleetBroadband Dual Antenna solution you can be confident in your ability to connect.

Always connected

When your SAILOR 500 FleetBroadband antenna cannot obtain full line-of-sight to the satellites because of blocking objects on board your vessel, the new SAILOR FleetBroadband Dual Antenna solution keeps you connected. It maintains full line-of-sight to the satellites with a combination of two SAILOR 500 FleetBroadband solutions installed at different locations and a SAILOR FleetBroadband Dual Antenna Control Unit (DACU).

No interruptions

By default, the intelligent DACU ensures the antenna with the best signal is always used in order to obtain the best possible coverage and connectivity. This all happens without interruption to on-going communication and with the same high voice and data quality you are used to with a standard SAILOR FleetBroadband installation.

Maximum flexibility

The two antennas in the solution are placed to cover each other's blocking zones. Blocking zones are areas where the signal is blocked between the antenna and the satellite because of the ship's superstructure. Blocking zones are easily configured on the terminals, using a built-in web interface. The ship's visibility to a satellite is determined by the combination of blocking zones for the two antennas.

Single solution

Although two SAILOR 500 FleetBroadband antennas are combined into a single system, you only have one IP address, guaranteeing fluid and uninterrupted communication when switching between antennas and ensuring quick and easy configuration. The solution uses one SIM card, which ensures that you always have a total overview of your costs.

Professional & Proven performance

SAILOR 500 FleetBroadband uses a fully stabilized 3-axis antenna with rate sensors for improved performance and fast, intelligent satellite tracking. It's built to the world-renowned SAILOR standards, so you benefit from reliable performance at all time, regardless of location and condition.

ThraneLink

The SAILOR Dual Antenna solution is supported by the ThraneLINK Management Application (TMA), which runs on the sophisticated ThraneLINK network protocol. TMA is a software solution that provides easy monitoring, remote operation and software update of connected ThraneLINK enabled SAILOR products like the DACU.



AMI
Connect

AMI Connect Head Office:

107 Forsyth Street, O'Connor 6163, WA

T: (08) 9331 0070

E: sales@amiconnect.com.au

Support: support@amiconnect.com.au

Branches Australia Wide & International

Perth, Adelaide, Sydney, Brisbane, Darwin, Cairns, Melbourne, Singapore & Vietnam

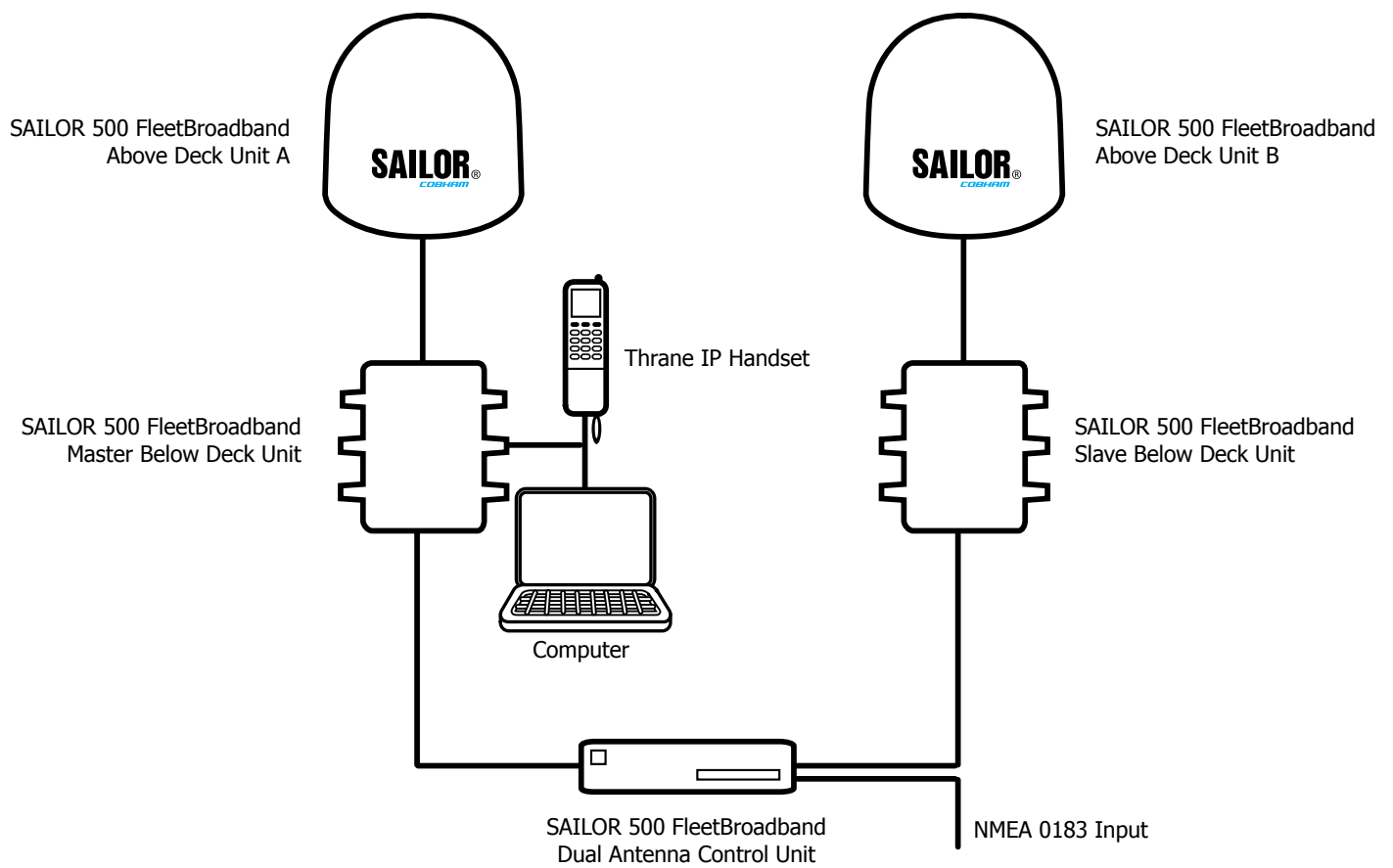
Visit us online: www.amiconnect.com.au

A Member of the AMI Group | ABN: 88 569 498 390

SAILOR® 500 FLEETBROADBAND DUAL ANTENNA SOLUTION



The most important thing we build is trust



For further information please contact:

Cobham SATCOM Maritime
Lundtoftegaardsvej 93 D
DK-2800 Kgs. Lyngby
Denmark
www.cobham.com
Tel: +45 3955 8800
Fax: +45 3955 8888